

**TIMKEN****The Timken Company**

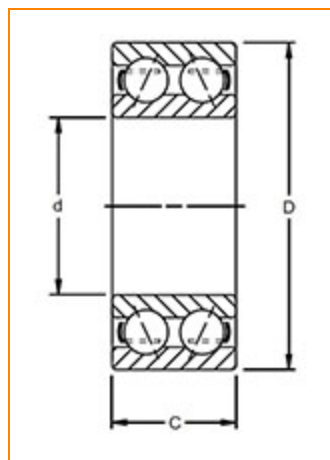
4500 Mt Pleasant St. NW

N. Canton, OH 44720

Phone: (234) 262-3000

E-Mail: [CustomerCAD@timken.com](mailto:CustomerCAD@timken.com) • Web site: [www.timken.com](http://www.timken.com)

Part Number 3212 AJ/2RS, Timken® Double Row Angular Contact Ball Bearings (3200, 3300)



[Dimensions](#) | [Specifications](#) | [Basic Load Ratings](#) | [Abutment and Fillet Dimensions](#)

## Dimensions

d - Bore	60.00 mm 2.3622 in
D - Outer Diameter	110.00 mm 4.3307 in
C - Ring Width	36.5 mm 1.4370 in
Contact Angle	30 °

## Specifications

Features	Contact Seals
Ball Type	STEEL



Cage Type	Pressed
Cage Material	Steel
Bearing Weight	2.91 Kg 6.405 lb
Design Units	METRIC

### Basic Load Ratings

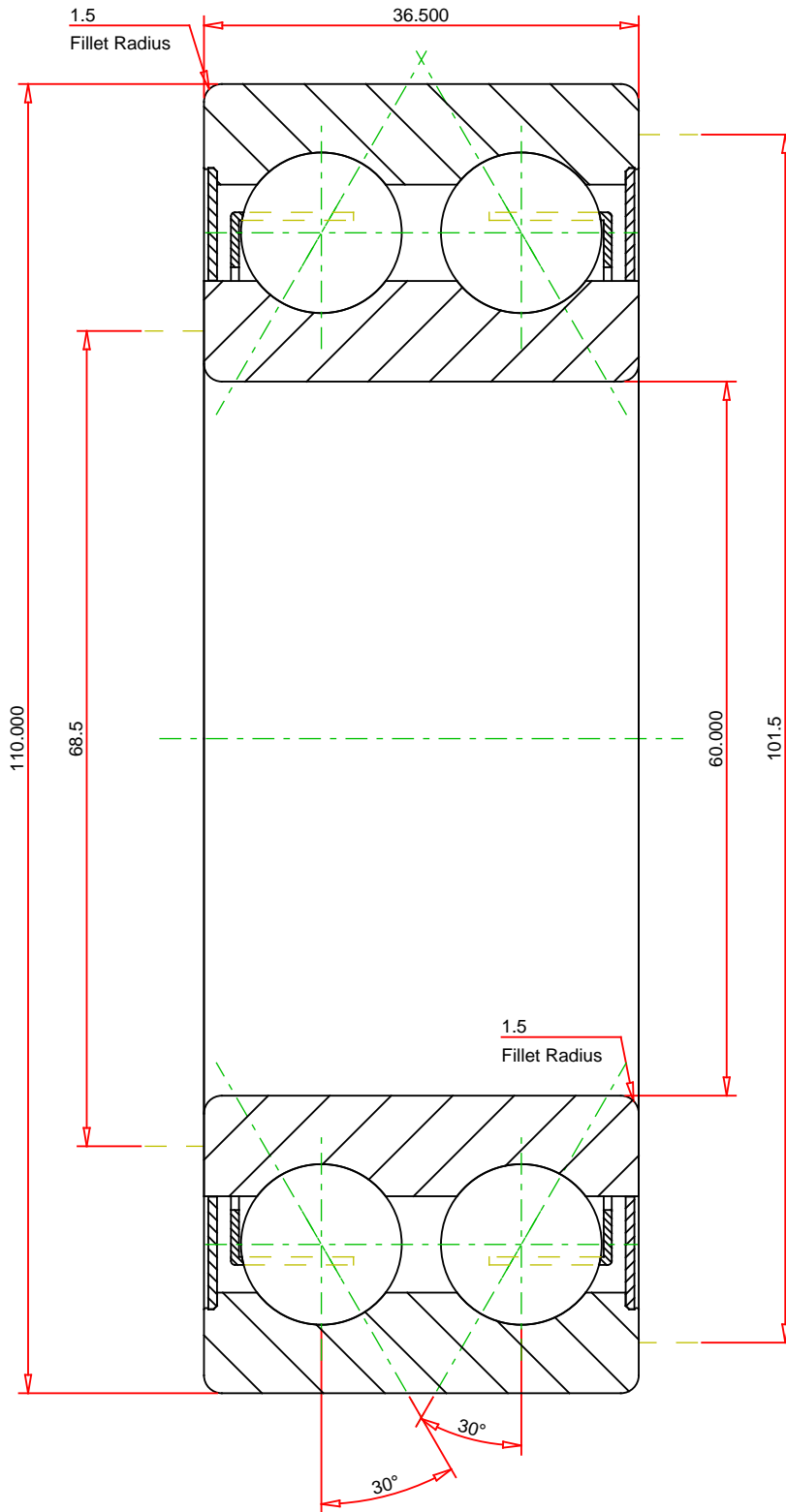
C0 - Static Radial Rating	53600 N 12047 lbf
C1 ISO - Dynamic Radial Rating	59900 N 13463 lbf

### Abutment and Fillet Dimensions

R - Inner Ring "To Clear" Radius <sup>1</sup>	1.50 mm 0.059 in
r - Outer Ring "To Clear" Radius <sup>2</sup>	1.50 mm 0.059 in
da - Inner Ring Backing Diameter	68.5 mm 2.697 in
Da - Outer Ring Backing Diameter	101.5 mm 3.996 in

<sup>1</sup> Maximum housing fillet radius that bearing corners will clear.

<sup>2</sup> Maximum shaft fillet radius that bearing corners will clear.



METRIC UNITS

Number of Balls Per Row 16  
 Bearing Weight 2.910 kg

**TIMKEN**®

**3212 AJ/2RS**  
 Timken® Double Row Angular Contact Ball Bearings  
 (3200, 3300)

**THE TIMKEN COMPANY**  
 NORTH CANTON, OHIO USA

Dynamic Load Rating 59900 N  
 Static Load Rating 53600 N

Every reasonable effort has been made to ensure the accuracy of the information contained in this writing, but no liability is accepted for errors, omissions or for any other reason.

**FOR DISCUSSION ONLY**